

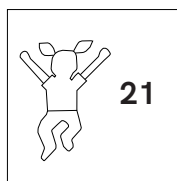
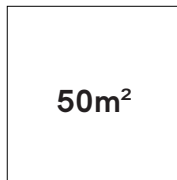
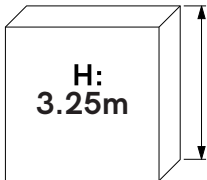
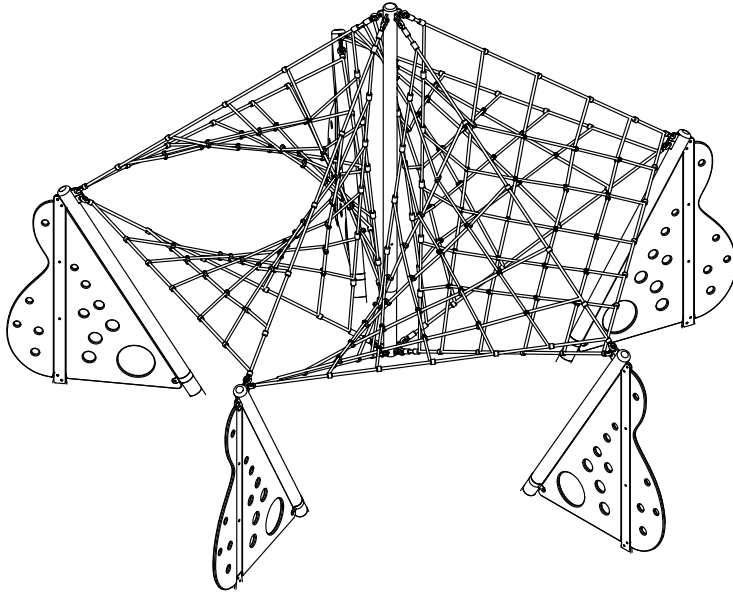


LEVITATOR 5

EN1176-1:2017
EN1176-11:2014

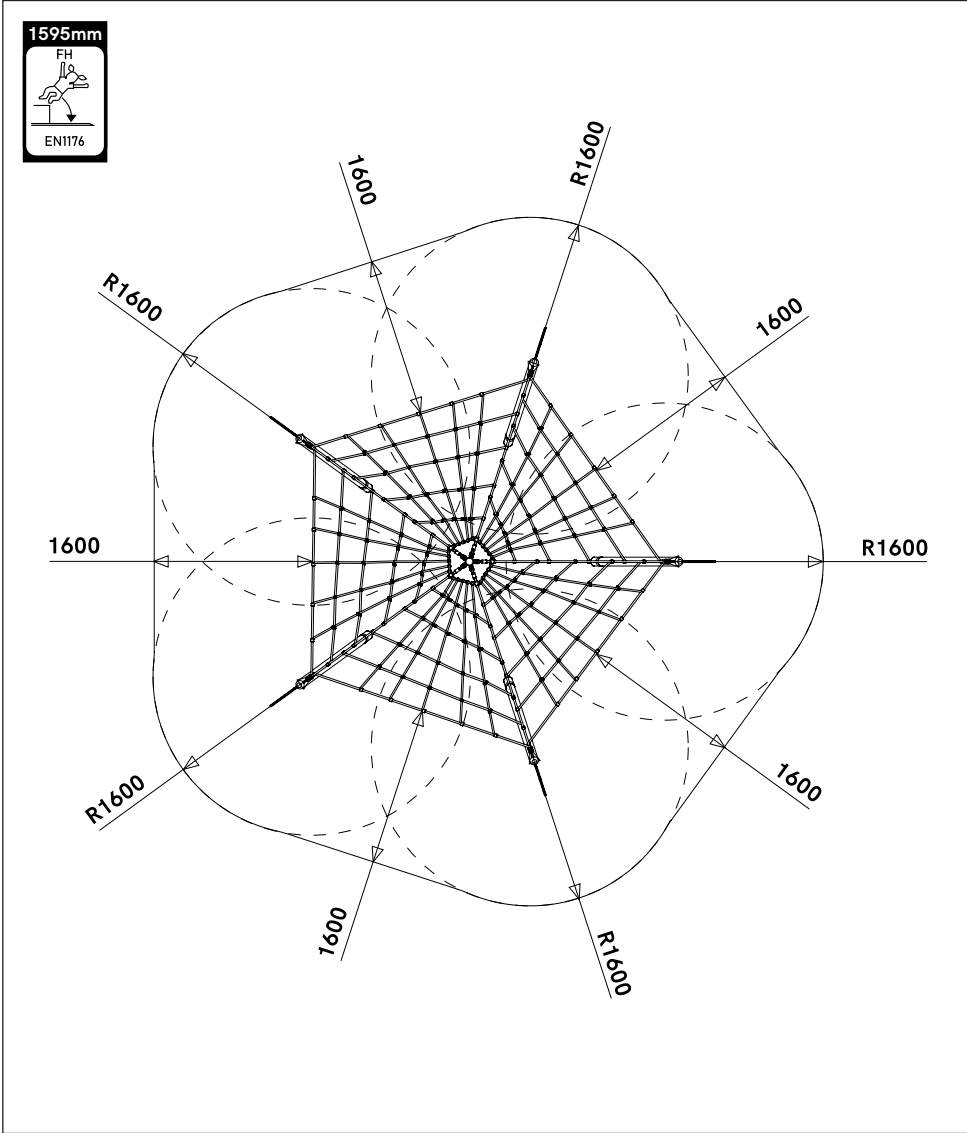


3+



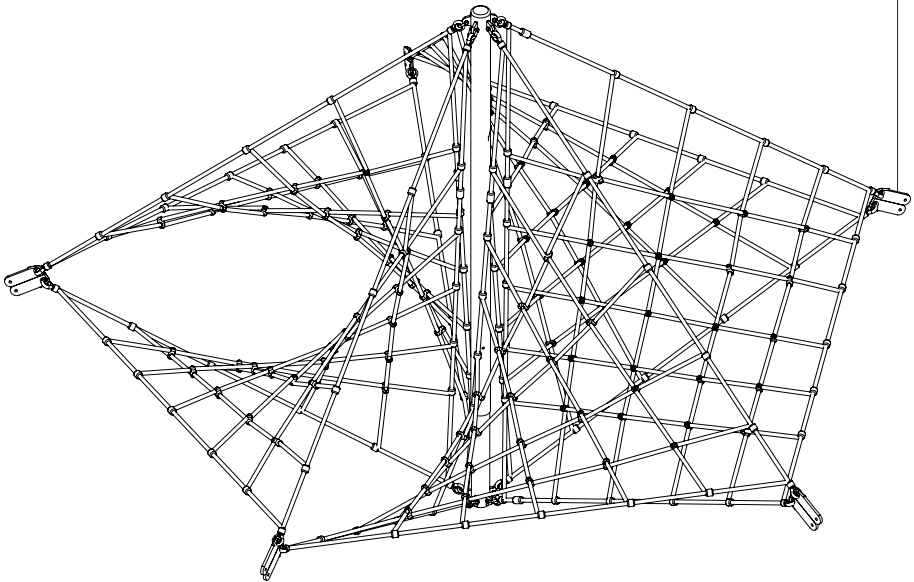
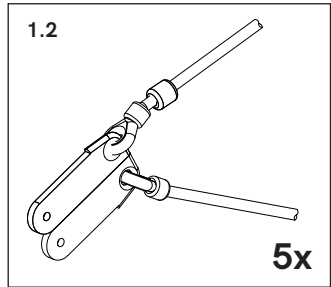
3-4	
5-6	
7-14	
15	














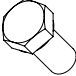



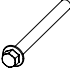
1.1 - LEVITATOR 5 NET & MAST



1x

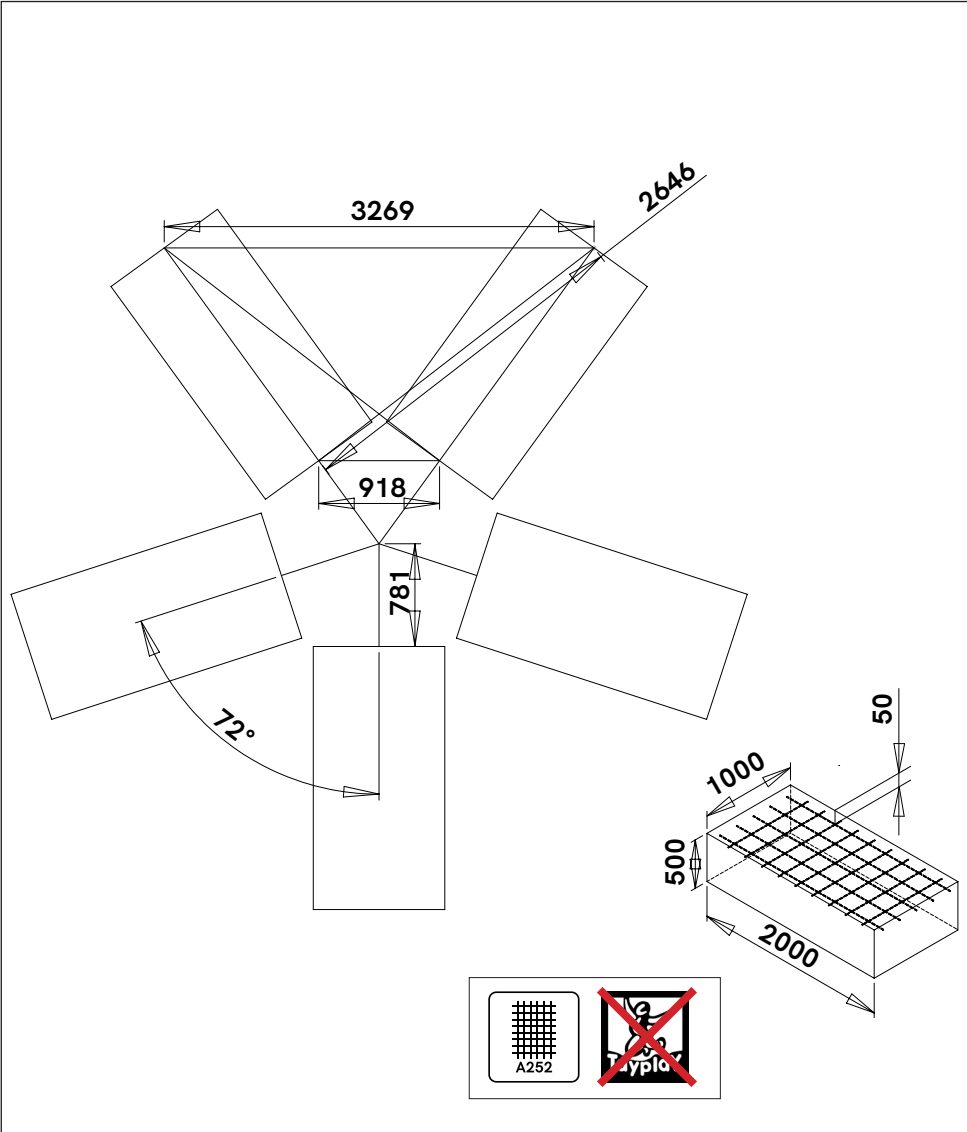
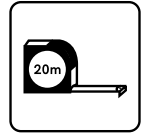
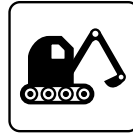
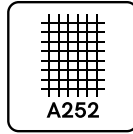




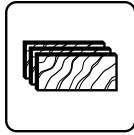
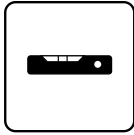
2.1		x3	LEG FOOT
2.2		x3	LEG
2.3		x3	TIE
3.1		x3	INFILL PANEL A
3.2		x3	LEG BRACKET A
4.0		x3	BASIC PANEL B
5.1		x3	KEY PEG 6x20
5.2		x21(A) x18(B)	TIE BOLT M12x35
5.3		x21(A) x36(B)	NUT
5.4		x42(A) x36(B)	BOLT WASHER
5.5		x42(A) x36(B)	BOLT COVER
5.6		x12	HILTI HUS-HR 10x130



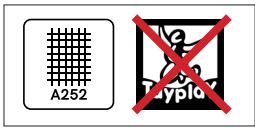
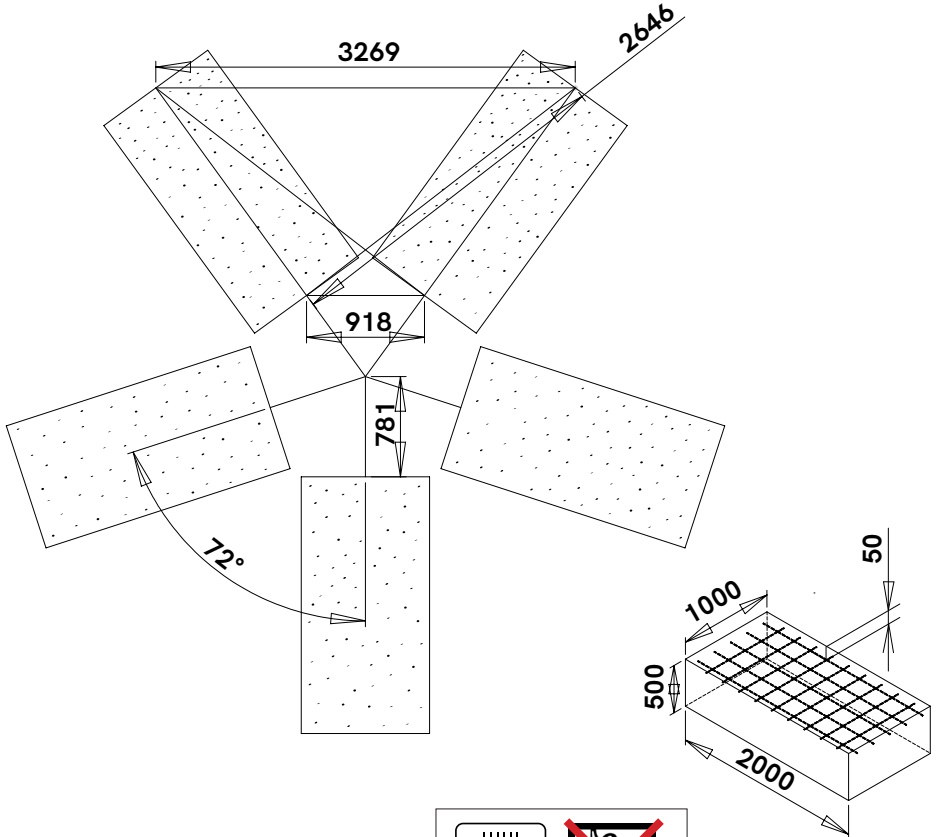
1

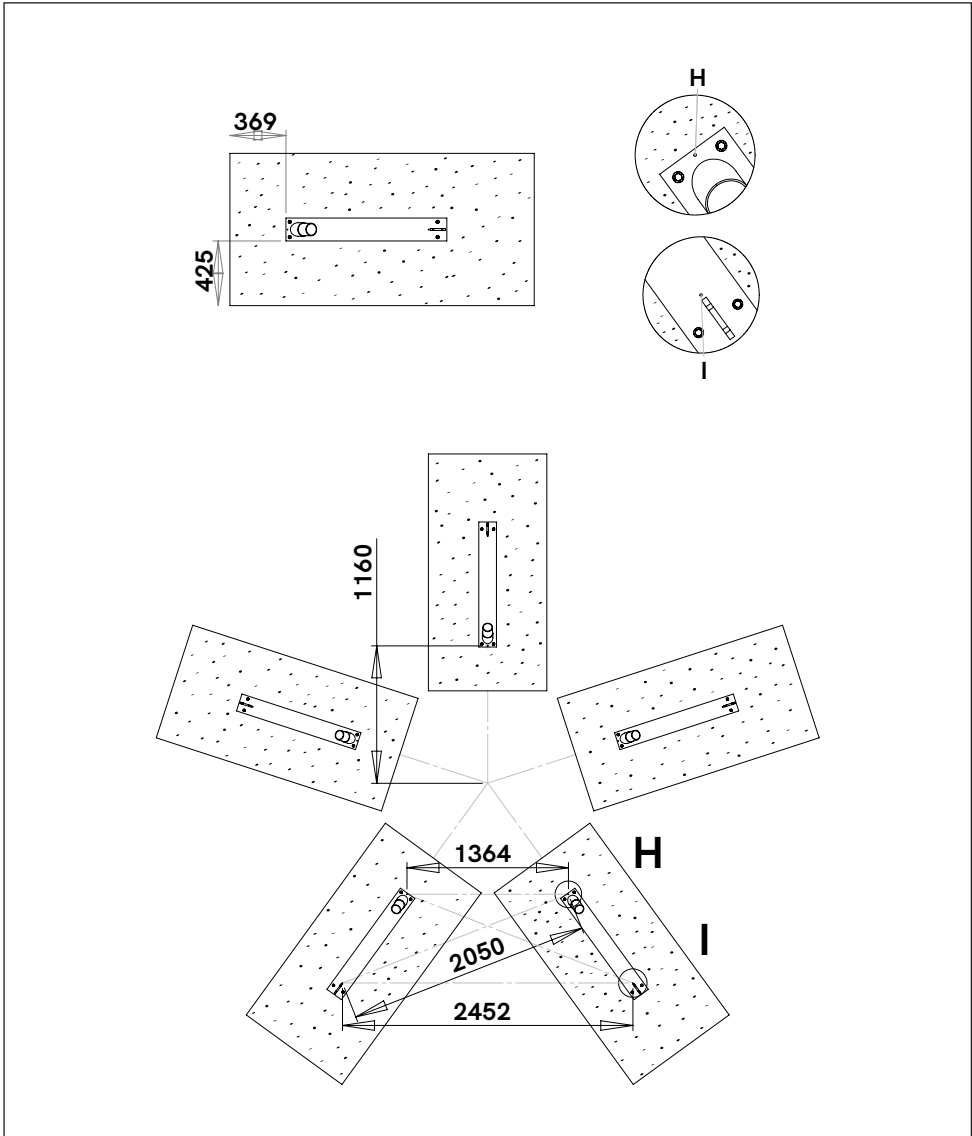
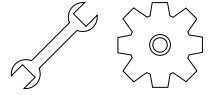


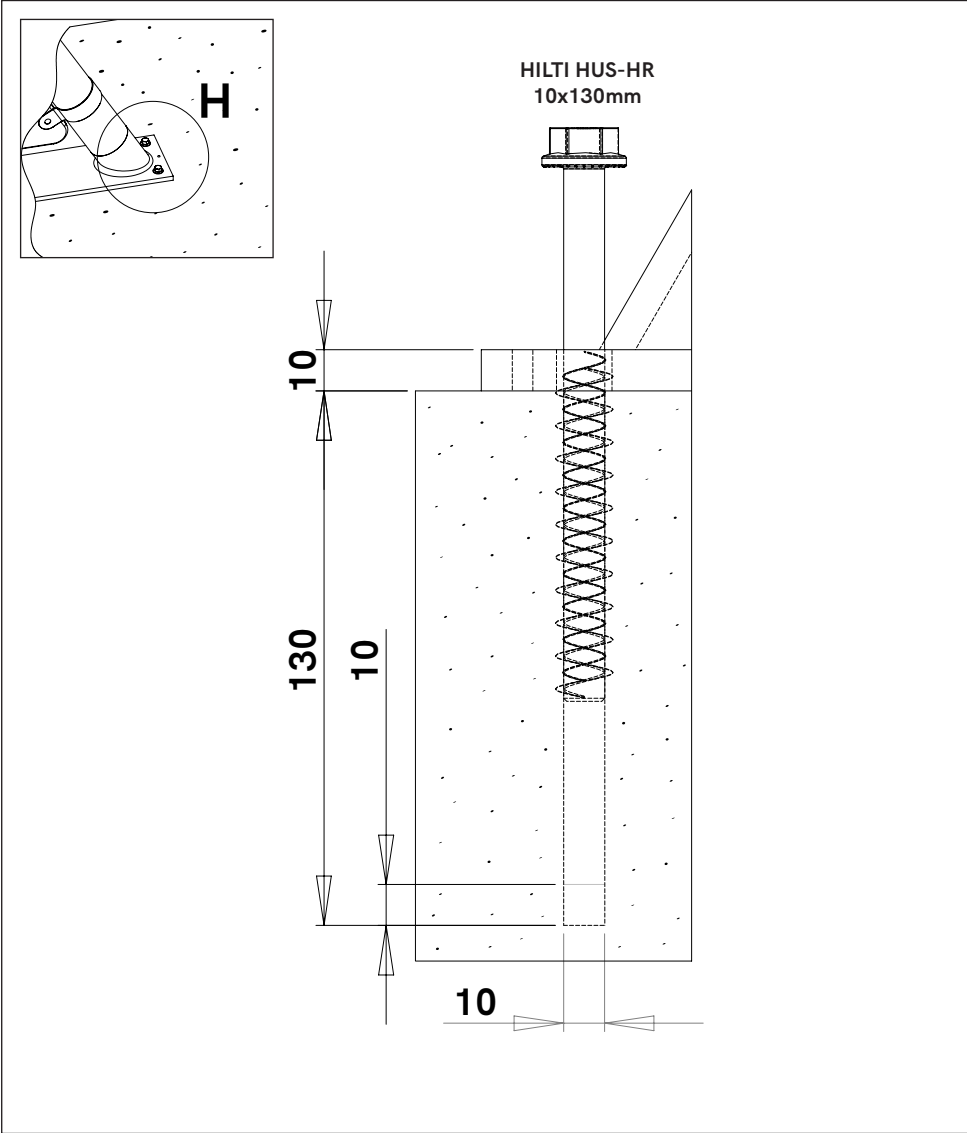
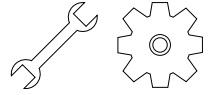
2

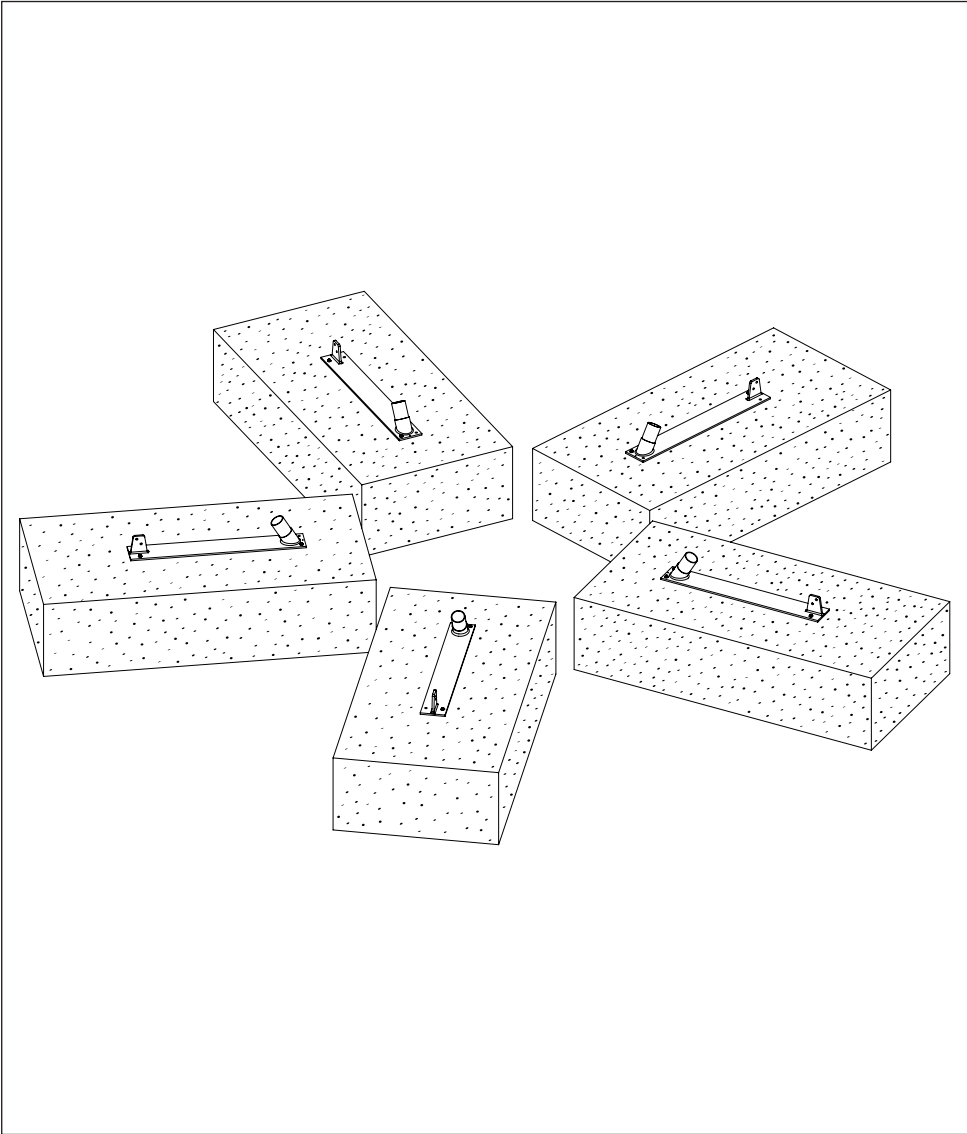


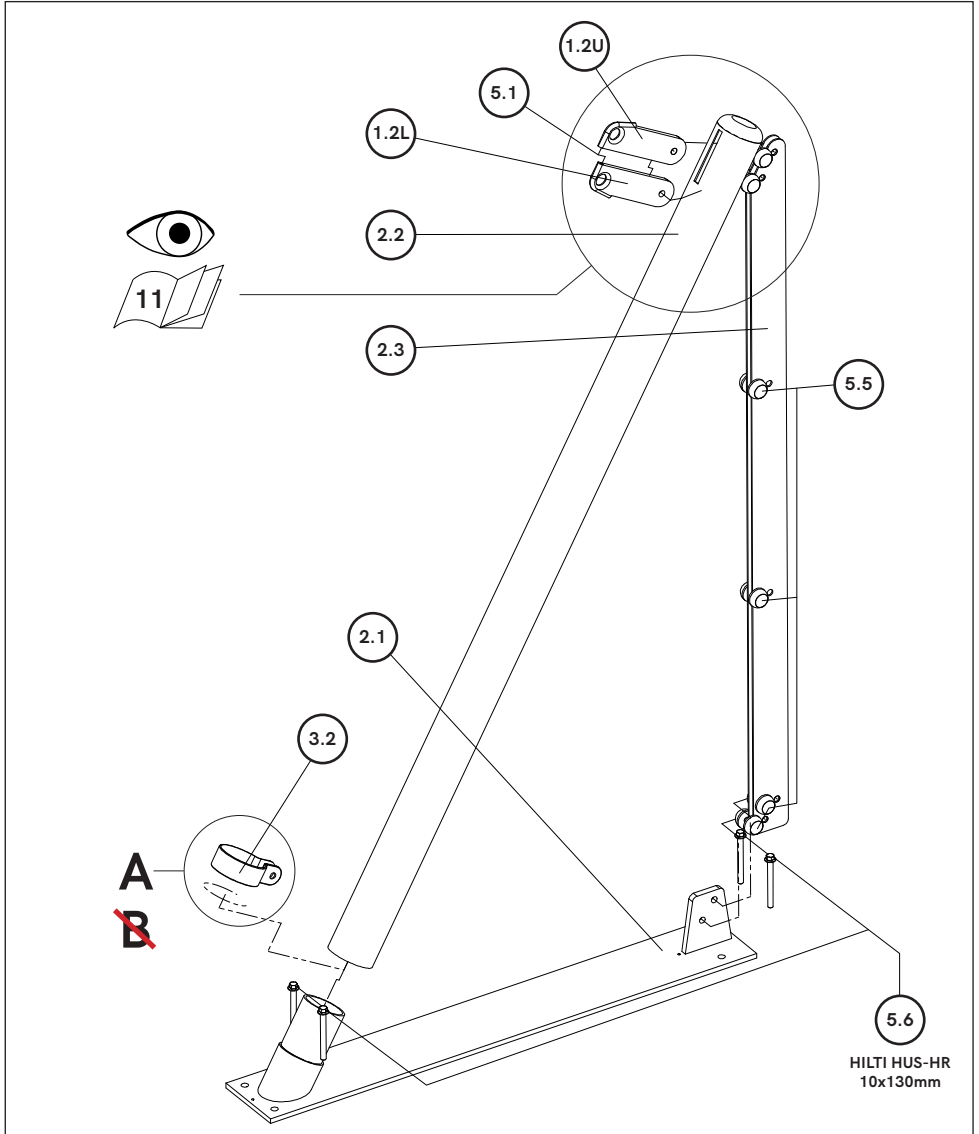
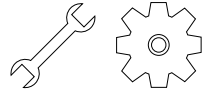
7 x 24h

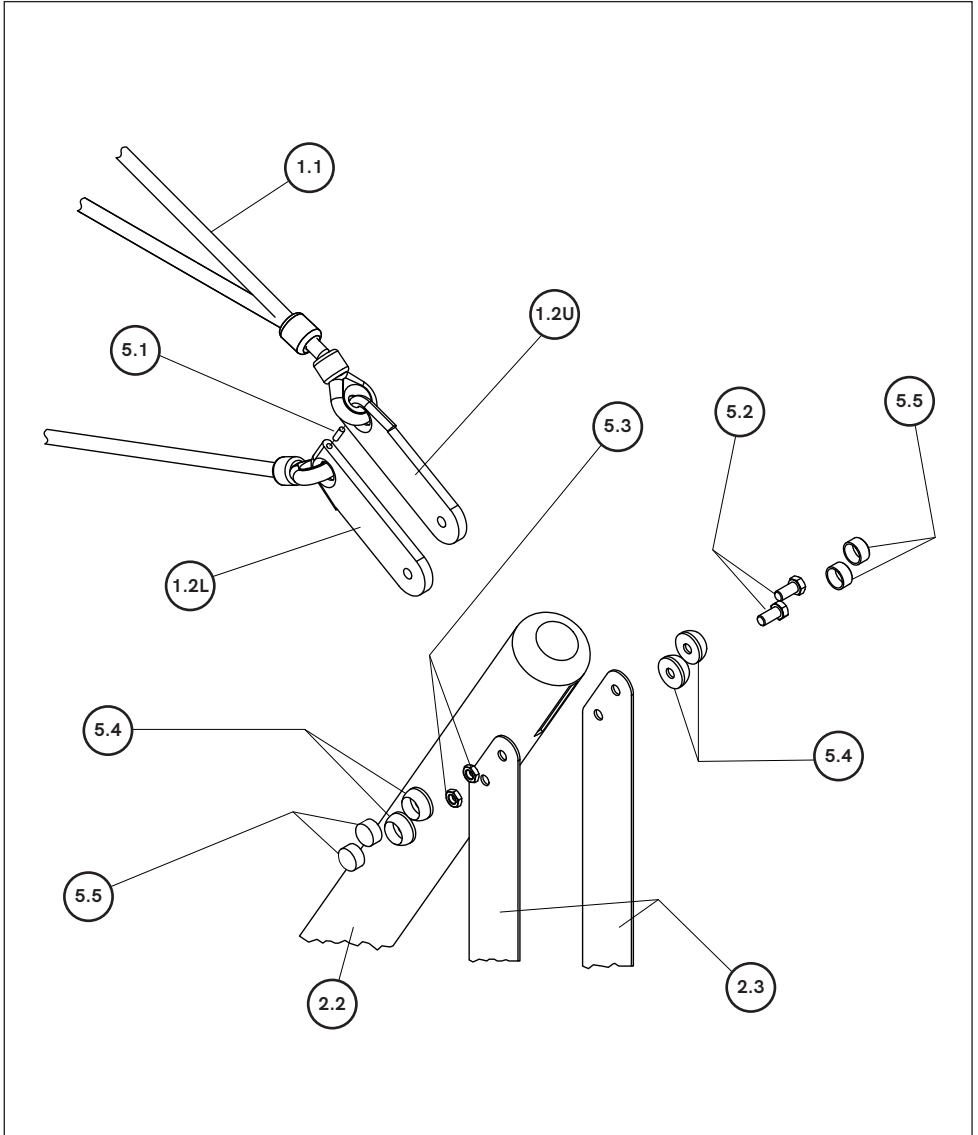
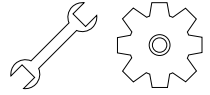


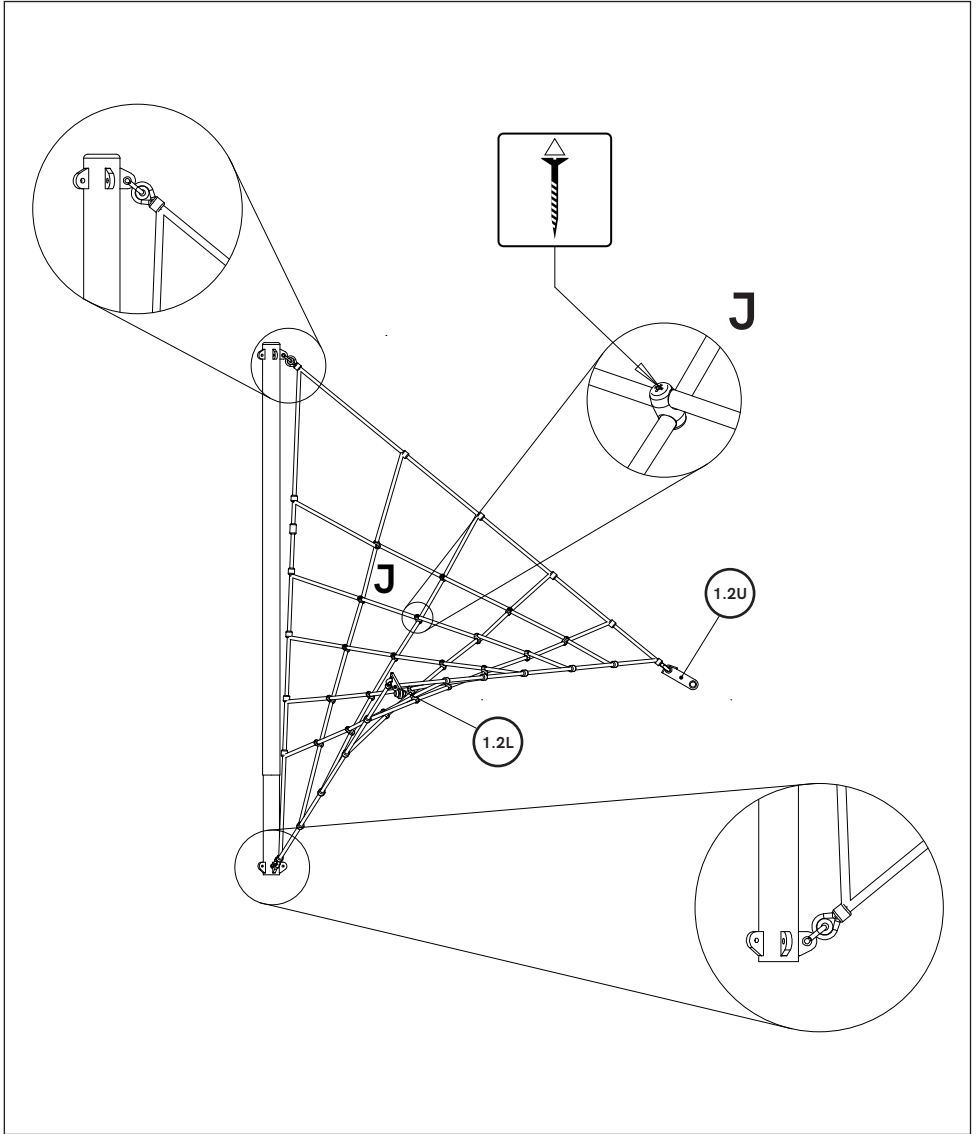
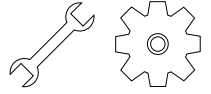


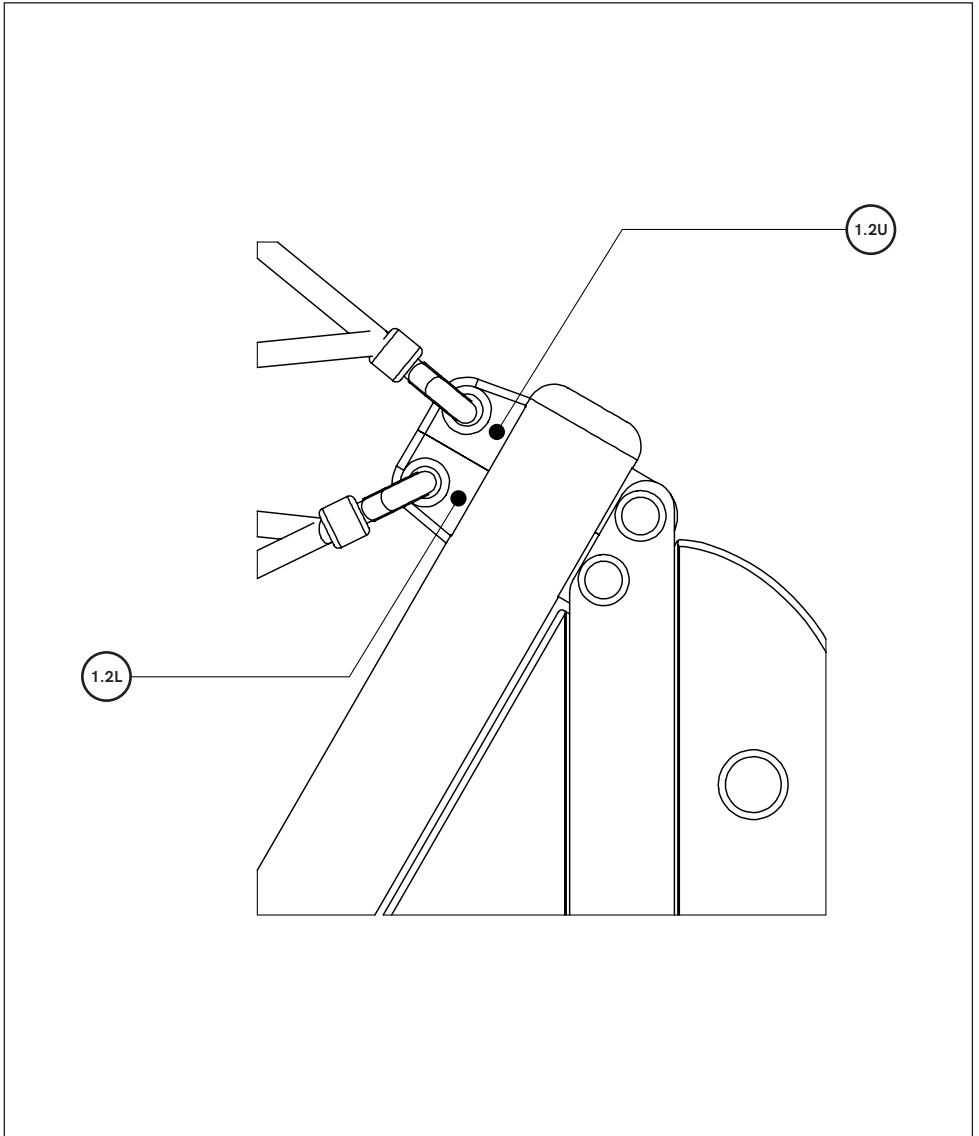
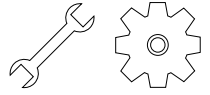


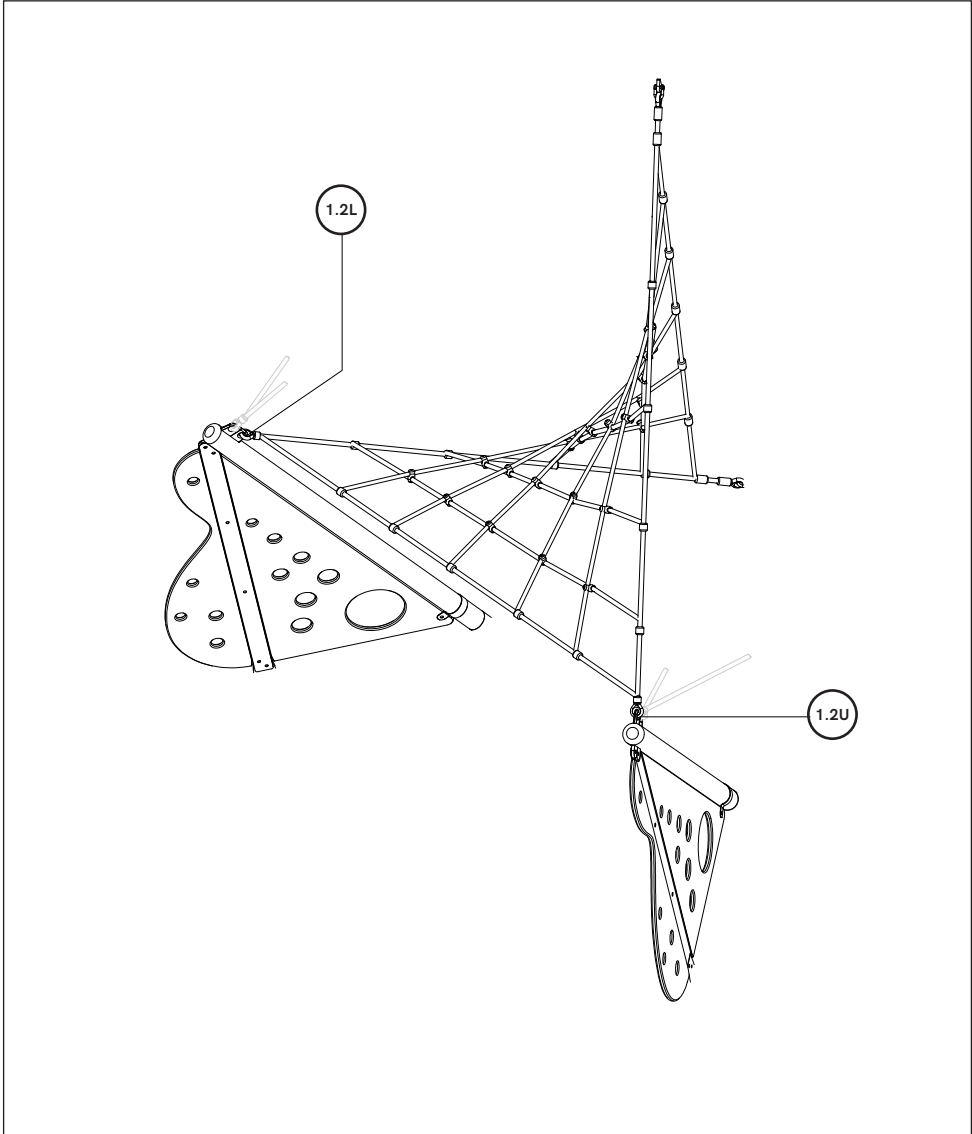
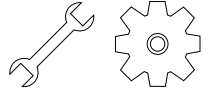




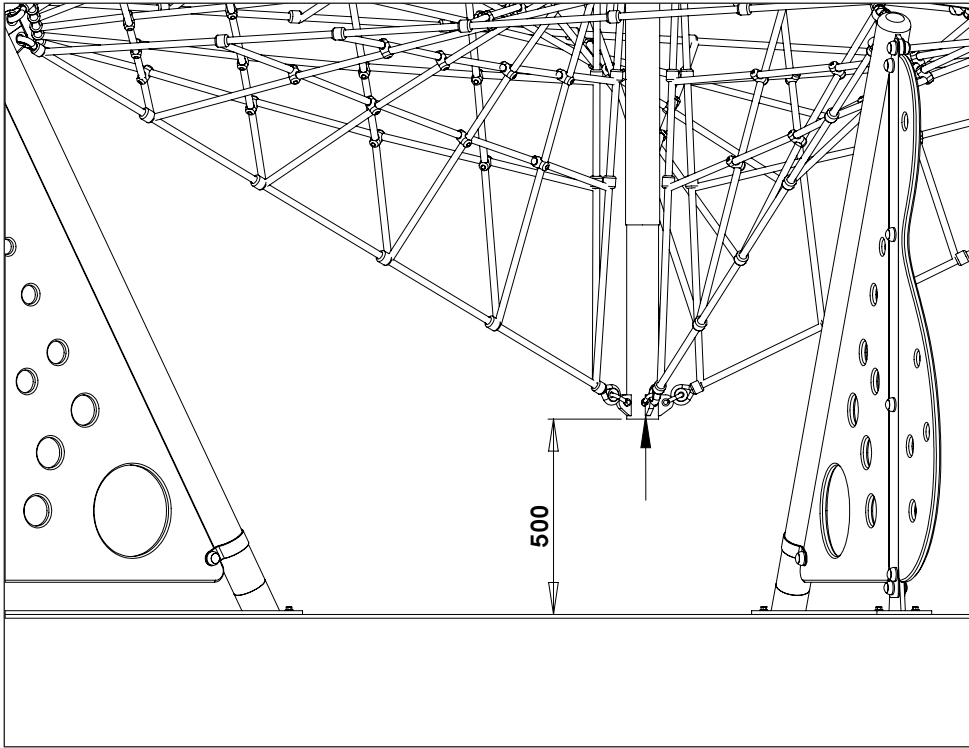
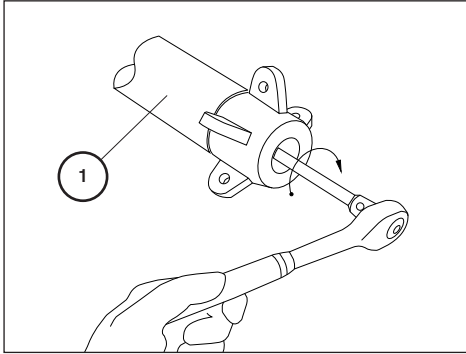
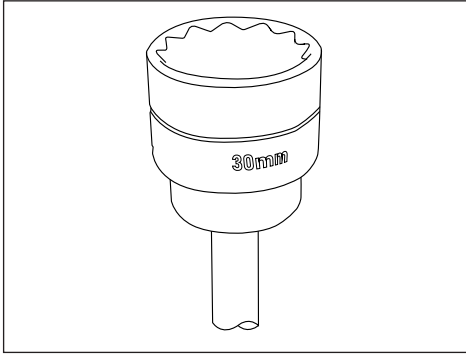


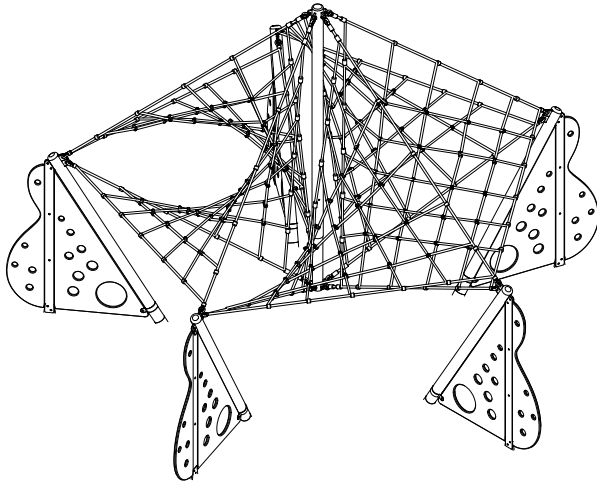






4







Tayplay Ltd

13A Riverview Business Park
Friarton Road
Perth
PH2 8DF
Scotland

Tel: +44 (0) 1738 449 084
Fax: +44 (0) 1738 449 094
Email: info@tayplay.com
Web: www.tayplay.com

